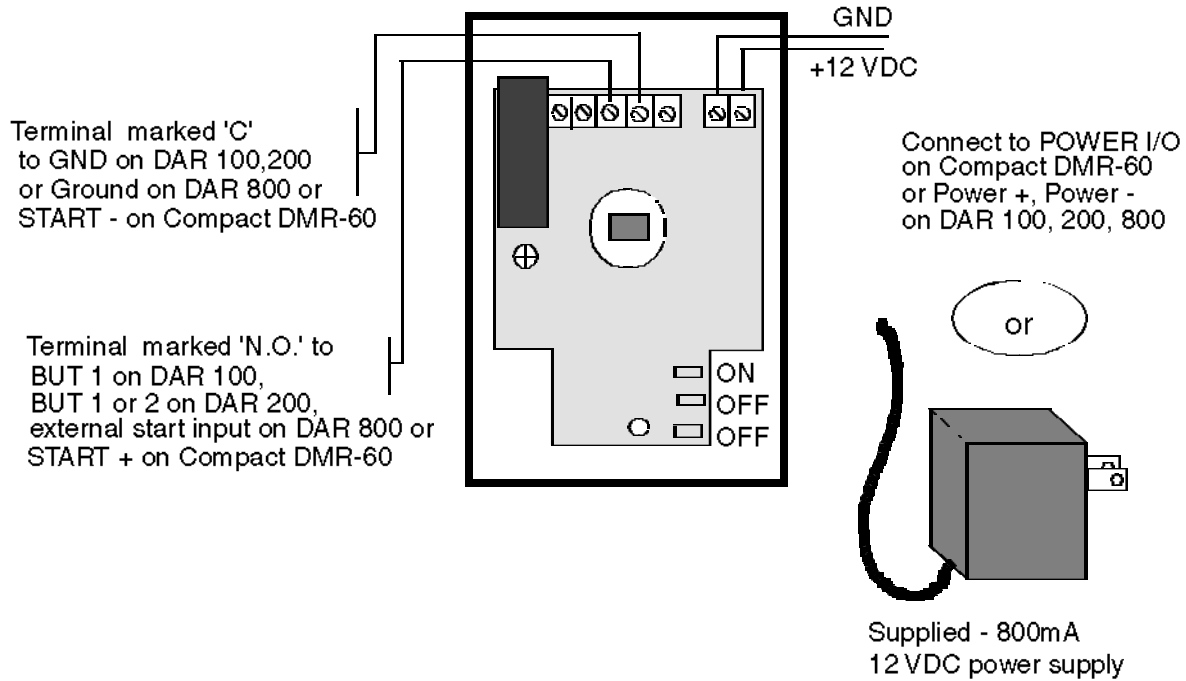


PARADOX ULC III Infra-Red Motion Sensor Installation Instructions

(addendum)

Form C
Motion Sensor
(cover removed)



on initial power-up allow about 1 minute to allow the unit to 'settle'.

effective field of view can be modified by 'masking' the front lens with tape, etc.

Where wiring is added to run between various components it is ESSENTIAL that proper connections be used

NOTE: Disconnect one side of switch contacts prior to recording

When using the ULC III with one of the Compact DMR-60 or one of the DAR models, a common power supply can be used, eliminating the need for the supply that was shipped with the ULC III. Simply connect the power terminals on the ULC III to the Power I/O terminals on the Compact DMR or DAR Recorder



www.stoplisten.com
1 800 387-2365