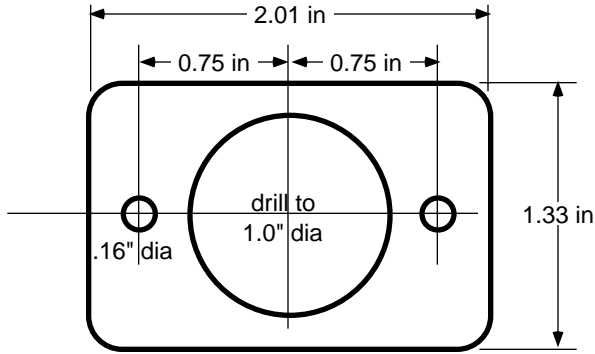




RECTANGULAR PUSHBUTTON INSTALLATION



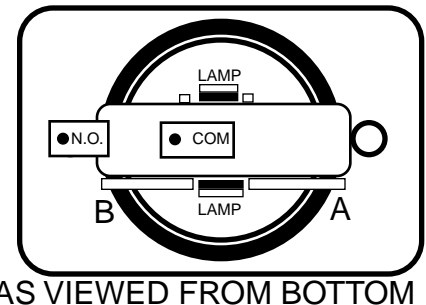
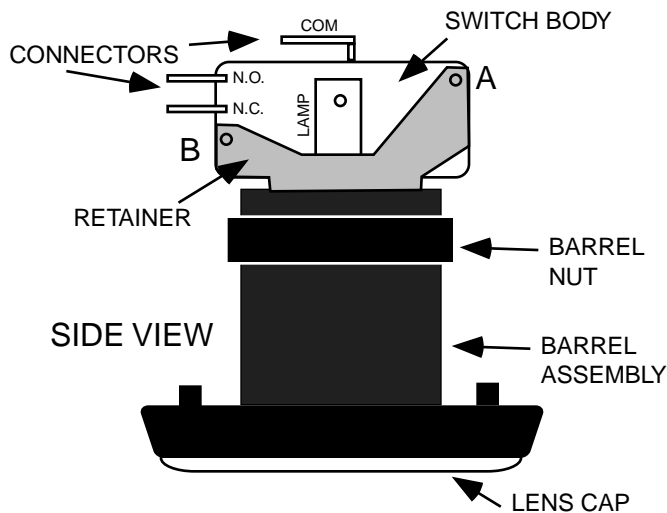
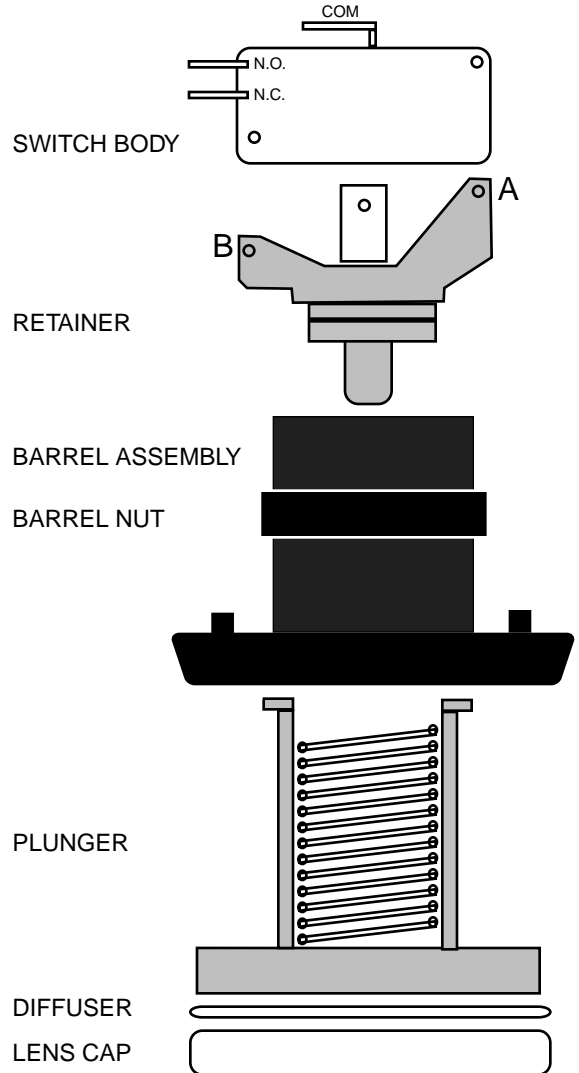
Drill Template - Rectangular Pushbutton

DISASSEMBLY

- ¥ pry tab 'A' away from switch body and rotate switch body upwards around tab 'B'
- ¥ switch assembly will dislocate from tab 'B'
- ¥ grasp retainer and pull out of barrel assembly - snap fit
- ¥ squeeze white plunger tabs on inside of barrel assembly together and push out of front of barrel
- ¥ lens cap will snap off (snap fit) for insertion of graphics, etc.

MOUNTING

- ¥ Drill as per template (max material 3/4" thickness)
- ¥ Insert barrel assembly with plunger and lenscap installed
- ¥ Install barrel nut and tighten securely
- ¥ Install retainer - press fit - and ensure it is firmly seated
- ¥ Install switch body by first aligning lug on tab 'B', then rotate down and fit to lug on tab 'A'
- ¥ complete wiring connections using appropriate connector (twisting wires around terminals is NOT an appropriate connector!!!)
- ¥ normally connections will be made to the COM (common) and N.O. (normally open) terminals



AS VIEWED FROM BOTTOM